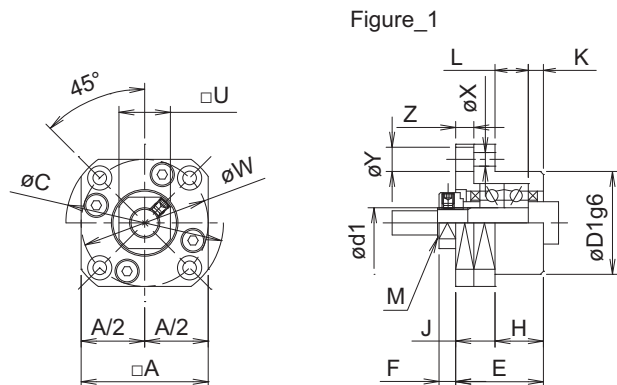


BUM series



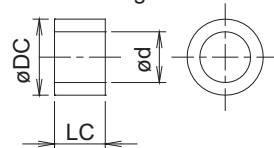
Model No.	$\phi d1$	$\square A$	ϕC	$\phi D1$	E	F	H	J	K	L	N
BUM-6F	6	28	35	22	20	5.5	13	7	3.5	9.5	6.5
BUM-8F	8	35	43	28	23	7	14	9	4	10	8
BUM-10F	10	42	52	34	29	5.5	16	13	5	11	8.5
BUM-12F	12	44	54	36	29	5.5	16	13	5	11	8.5
BUM-15F	15	52	63	40	32	12	17	15	6	11	14
BUM-20F	20	68	85	57	52	10	30	22	10	20	14
BUM-25	25	79	98	63	57	13	30	27	10	20	20

(Note 1) The above is the net weight and does not include that of the packing material.

• Dimensions of rolled ball screws collars

Model No.	ϕd	ϕDC (Tolerance)	LC
GY/W-C06	6	9.5	7
GY/W-C08	8	11.5	8
GY/W-C10	10	14	10
GY/W-C12	12	15	10
GY/W-C15	15	20	15
GY/W-C20	20	25	20
GY/W-C25	25	32	25

Rolled ball screws collars to be used as bearing shoulders

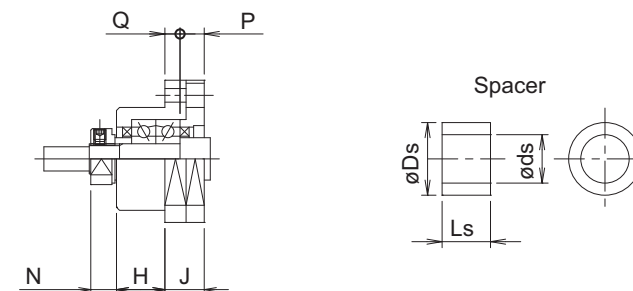


(Note 1) When the above parts are used with the rolled ball screw, a bearing shoulder-functioning collar is required.

(Note 2) The collar is not included in the standard parts of the support unit. When using with rolled ball screws, the optional collar is available on request.

Support unit for small-sized factory automation equipment: ROUND TYPE FIXED END UNIT

Figure_2

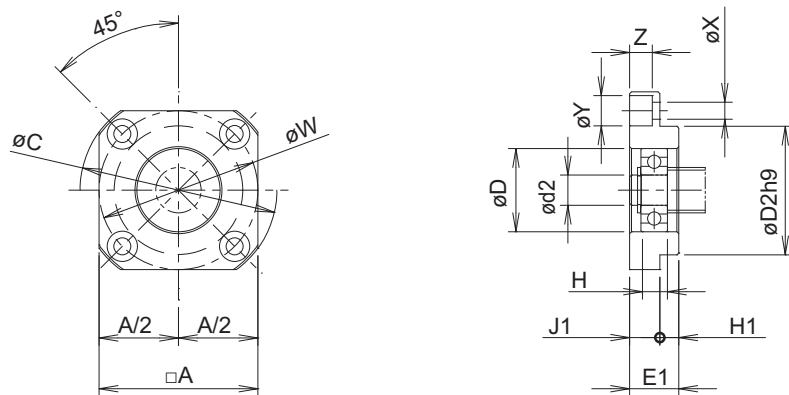


(Unit: mm)

P	Q	$\square U$	ϕW	X	Y	Z	M	ϕds	ϕDs	Ls	Mass (kg)
4.5	2.5	12	28	2.9	5.5	3.5	M6×0.75	6	9.5	5	0.08
5	4	14	35	3.4	6.5	4	M8×1	8	11.5	5.5	0.18
8	5	17	42	4.5	8	6	M10×1	10	14	5.5	0.24
8	5	19	44	4.5	8	6	M12×1	12	15	5.5	0.26
8	7	22	50	5.5	9.5	6	M15×1	15	20	10	0.40
14	8	30	70	6.6	11	10	M20×1	20	25	11	1.09
17	10	36	80	9	15	13	M25×1.5	25	31	14	1.51



BUM series



Model No.	$\phi d2$	ϕD	H	$\square A$	ϕC	$\phi D2$	E1	J1	H1	ϕW	X
BUM-6S	6	17	6	35	43	28	10	6	4	35	3.4
BUM-8S	8	22	7	42	52	34	13	8	5	42	4.5
BUM-10S	10	26	8	44	54	36	15	7	8	44	4.5
BUM-15S	15	32	9	52	63	40	17	9	8	50	5.5
BUM-20S	20	47	14	68	85	57	20	11	9	70	6.6

(Note 1) The above is the net weight and does not include that of the packing material.

Support unit for small-sized factory automation equipment: ROUND TYPE SUPPORTED END UNIT



(Unit: mm)

Y	Z	Snap ring	Mass (kg)
6.5	4	Nominal 6	0.06
8	6	Nominal 8	0.11
8	6	Nominal 10	0.12
9.5	6	Nominal 15	0.17
11	10	Nominal 20	0.38

• Part numbers for matched pairs

Model No.	Model No.
BUM-6F	---
BUM-8F	BUM-6S
BUM-10F	BUM-8S
BUM-12F	BUM-10S
BUM-15F	BUM-15S
BUM-20F	BUM-20S
BUM-25F	---