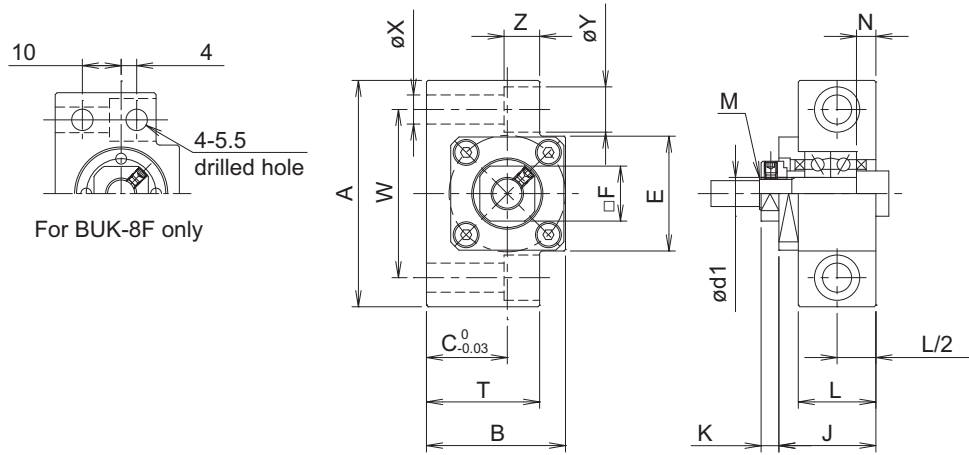


BUK series



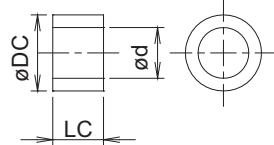
Model No.	ød1	A	B	C	T	E	□F	J	K	L	N
BUK-6	6	42	25	13	20	18	12	20	5.5	20	3.5
BUK-8F	8	52	32	17	26	25	14	23	7	23	4
BUK-10F	10	70	43	25	35	35.5	17	30	5.5	24	6
BUK-12F	12	70	43	25	35	35.5	19	30	5.5	24	6
BUK-15F	15	80	50	30	40	41	22	31	12	25	5
BUK-20F	20	95	58	30	45	56	30	52	10	42	10
BUK-25F	25	105	68	35	25	66	36	61	13	48	14

(Note 1) The above is the net weight and does not include that of the packing material.

• Dimensions of rolled ball screws collars

Model No.	ød	øDC (Tolerance)	LC
GY/W-C06	6	9.5	7
GY/W-C08	8	11.5	8
GY/W-C10	10	14	10
GY/W-C12	12	15	10
GY/W-C15	15	20	15
GY/W-C20	20	25	20
GY/W-C25	25	32	25

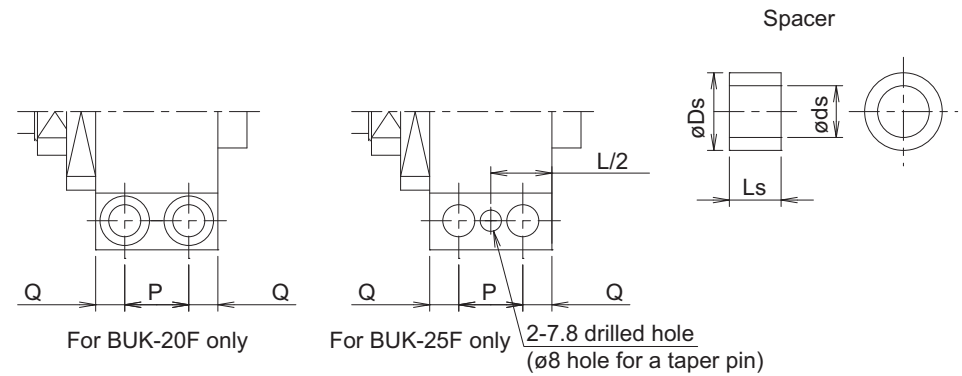
Rolled ball screws collars to be used as bearing shoulders



(Note 1) When the above parts are used with the rolled ball screw, a bearing shoulder-functioning collar is required.

(Note 2) The collar is not included in the standard parts of the support unit. When using with rolled ball screws, the optional collar is available on request.

Support unit for small-sized factory automation equipment: SQUARE TYPE FIXED END UNIT

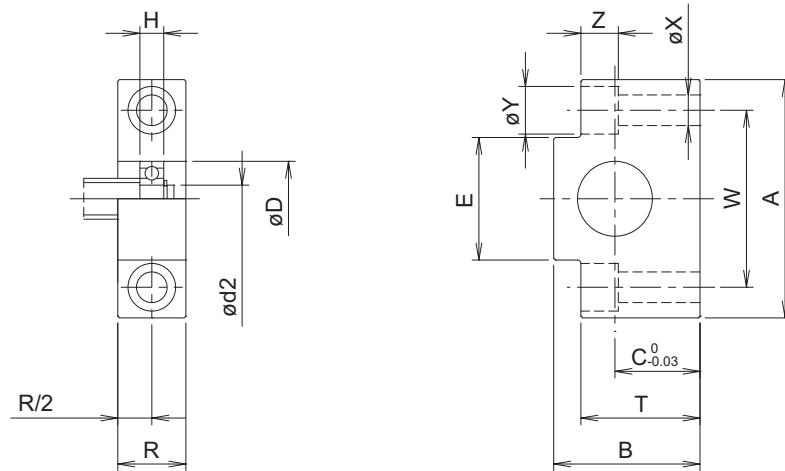


(Unit: mm)

P	Q	W	X	Y	Z	M	øds	øDs	Ls	Mass (kg)
-	-	30	5.5	9.5	11	M6×0.75	6	9.5	5	0.10
-	-	38	6.6	11	12	M8×1	8	11.5	5.5	0.23
-	-	52	9	14	11	M10×1	10	14	5.5	0.49
-	-	52	9	14	11	M12×1	12	15	5.5	0.50
-	-	60	11	17	15	M15×1	15	20	10	0.65
22	10	75	11	17	15	M20×1	20	25	11	1.48
30	9	85	11	-	-	M25×1.5	25	31	14	1.90



BUK series



Model No.	ød2	øD	H	R	A	B	C	T	E	W	X
BUK-6S	6	17	6	15	52	32	17	26	25	38	6.6
BUK-8S	8	22	7	20	70	43	25	35	35.5	52	9
BUK-10S	10	26	8	20	70	43	25	35	35.5	52	9
BUK-15S	15	32	9	20	80	50	30	40	41	60	11
BUK-20S	20	47	14	26	95	58	30	45	56	75	11
BUK-25S	25	52	15	30	105	68	35	25	66	85	11

(Note 1) The above is the net weight and does not include that of the packing material.

Support unit for small-sized factory automation equipment: SQUARE TYPE SUPPORTED END UNIT



(Unit: mm)

Y	Z	Snap ring	Mass (kg)
11	12	Nominal 6	0.17
14	11	Nominal 8	0.37
14	11	Nominal 10	0.36
17	15	Nominal 15	0.46
17	15	Nominal 20	0.76
-	-	Nominal 25	0.98

• Part numbers for matched pairs

Model No.	Model No.
BUK-6	---
BUK-8F	BUK-6S
BUK-10F	BUK-8S
BUK-12F	BUK-10S
BUK-15F	BUK-15S
BUK-20F	BUK-20S
BUK-25F	BUK-25S