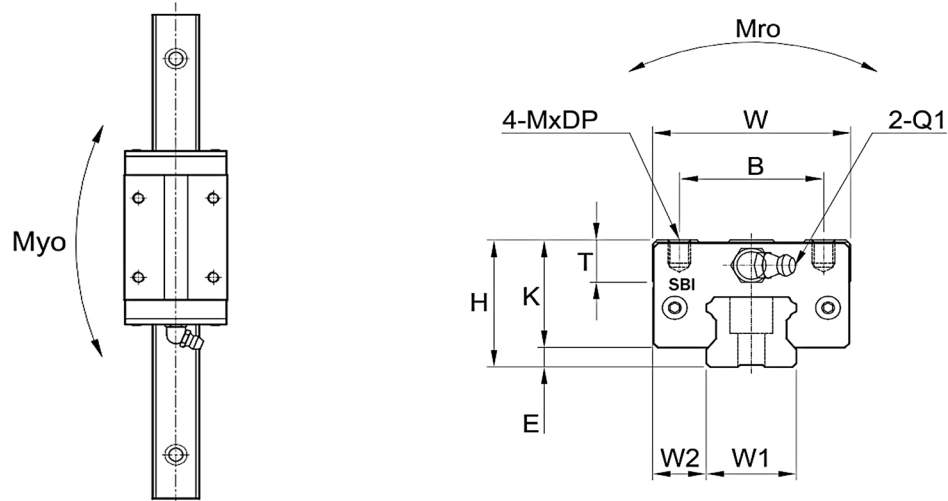


SBI Linear Rail Series
Slim Series: SL, SLL, SLS

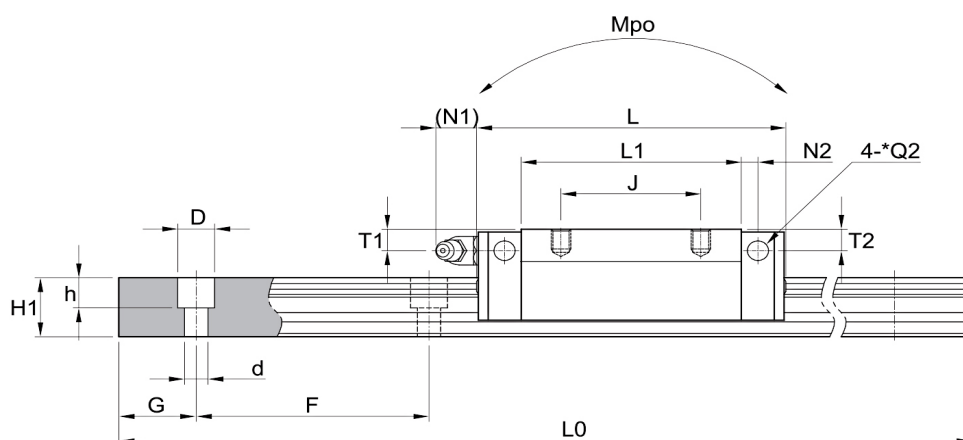


Model	Mounting dimension				Block dimensions												
	H	W	L	E	Mounting tap hole				L1	T±1	K	Grease fitting					
					B	J	M	DP				T1	N1	T2	N2	Q1	*Q2
SBI15 SLS	28	34	56.8	3	26	26	M4	5	38.2	10	25	8.5	5.5	7.8	3.8	M4x0.7	ø3.5
SBI15 SL	28	34	63.8	3	26	26	M4	5	45.2	10	25	8.5	5.5	7.8	3.8	M4x0.7	ø3.5
SBI15 SLL	28	34	79.4	3	26	34	M4	5	60.8	10	25	8.5	5.5	7.8	3.8	M4x0.7	ø3.5
SBI20 SLS	30	44	73.8	4.6	32	36	M5	5	51.8	10	25.4	6	12	5.8	5	M6x0.75	ø3.5
SBI20 SL	30	44	78.8	4.6	32	36	M5	5	56.8	10	25.4	6	12	5.8	5	M6x0.75	ø3.5
SBI20 SLL	30	44	96.4	4.6	32	50	M5	5	74.4	10	25.4	6	12	5.8	5	M6x0.75	ø3.5
SBI25 SLS	40	48	83	5.5	35	35	M6	8	61	16	34.5	10	12	9	5	M6x0.75	ø3.5
SBI25 SL	40	48	92	5.5	35	35	M6	8	70	16	34.5	10	12	9	5	M6x0.75	ø3.5
SBI25 SLL	40	48	108	5.5	35	50	M6	8	86	16	34.5	10	12	9	5	M6x0.75	ø3.5
SBI30 SLS	45	60	96.8	7	40	40	M8	10	68.8	12	38	11.5	12	10.8	5	M6x0.75	ø5.7
SBI30 SL	45	60	108	7	40	40	M8	10	79.6	12	38	11.5	12	10.8	5	M6x0.75	ø5.7
SBI30 SLL	45	60	132	7	40	60	M8	10	104	12	38	11.5	12	10.8	5	M6x0.75	ø5.7
SBI35 SLS	55	70	108	8	50	50	M8	10	78.2	15	47.5	15	12	15	6	M6x0.75	ø5.7
SBI35 SL	55	70	125	7.5	50	50	M8	10	94.6	15	47.5	15	12	15	6	M6x0.75	ø5.7
SBI35 SLL	55	70	153	7.5	50	72	M8	10	123	15	47.5	15	12	15	6	M6x0.75	ø5.7
SBI45 SL	70	86	142	9	60	60	M10	13	108	17	61	20.5	13.5	19.3	6.5	PT1/8	ø5.7
SBI45 SLL	70	86	174	9	60	80	M10	13	140	17	61	20.5	13.5	19.3	6.5	PT1/8	ø5.7
SBI55 SL	80	100	172	12	75	75	M12	18	131	21	68	22	13	22	8	PT1/8	ø8.7
SBI55 SLL	80	100	212	12	75	95	M12	18	170	21	68	22	13	22	8	PT1/8	ø8.7
SBI65 SL	90	126	220	19	76	70	M16	16	170	26	71	14	13	14	10	PT1/8	ø8.7
SBI65 SLL	90	126	272	19	76	120	M16	16	223	26	71	14	13	14	10	PT1/8	ø8.7

C (Basic dynamic load rating), Co (Basic static load rating)

LINEAR RAIL SYSTEM

Available for Quick Delivery
Slim Series: SL, SLL, SLS



Model	Rail dimensions									Basic load rating (kN)		Permissible static moment (kN·m)			Mass	
	W1	W2	H1	F	Bolt hole			G	Max Rail Length LO	C	Co	Mro	Mpo	Myo	Block (kg)	Rail (kg/m)
					d	D	h									
SBI15 SLS	15	9.5	13	60	4.5	7.5	5.5	20	3000	12.3	18.3	0.13	0.08	0.08	0.19	1.3
SBI15 SL	15	9.5	13	60	4.5	7.5	5.5	20	3000	14.1	24.1	0.16	0.17	0.17	0.23	1.3
SBI15 SLL	15	9.5	13	60	4.5	7.5	5.5	20	3000	17.1	31.7	0.21	0.29	0.29	0.31	1.3
SBI20 SLS	20	12	17	60	6	9.5	8.5	20	4000	20.2	29.1	0.29	0.18	0.18	0.33	2.2
SBI20 SL	20	12	17	60	6	9.5	8.5	20	4000	22.2	38.2	0.36	0.33	0.33	0.36	2.2
SBI20 SLL	20	12	17	60	6	9.5	8.5	20	4000	27.9	50	0.47	0.56	0.56	0.47	2.2
SBI25 SLS	23	13	20	60	7	11	9	20	4000	28.9	42.8	0.49	0.32	0.32	0.58	3
SBI25 SL	23	13	20	60	7	11	9	20	4000	31.5	52.1	0.56	0.56	0.56	0.68	3
SBI25 SLL	23	13	20	60	7	11	9	20	4000	36.7	64.4	0.69	0.84	0.84	0.82	3
SBI30 SLS	28	16	23	80	9	14	12	20	4000	39.2	57.7	0.8	0.49	0.49	0.92	4.25
SBI30 SL	28	16	23	80	9	14	12	20	4000	42.8	65.4	0.85	0.77	0.77	1.06	4.25
SBI30 SLL	28	16	23	80	9	14	12	20	4000	51.3	84.7	1.1	1.3	1.3	1.36	4.25
SBI35 SLS	34	18	26	80	9	14	12	20	4000	52	73.3	1.24	0.71	0.71	1.48	6.02
SBI35 SL	34	18	26	80	9	14	12	20	4000	59.5	89.1	1.42	1.28	1.28	1.82	6.02
SBI35 SLL	34	18	26	80	9	14	12	20	4000	71.3	115	1.83	2.12	2.12	2.32	6.02
SBI45 SL	45	21	32	105	14	20	17	22.5	4000	79.2	116	2.48	1.9	1.9	3.08	9.77
SBI45 SLL	45	21	32	105	14	20	17	22.5	4000	94.8	151	3.21	3.14	3.14	4.23	9.77
SBI55 SL	53	24	38	120	16	23	20	30	4000	127	182	4.81	2.97	2.97	5.04	13.72
SBI55 SLL	53	24	38	120	16	23	20	30	4000	148	225	5.95	4.78	4.78	5.82	13.72
SBI65 SL	63	32	53	150	18	26	22	35	4000	188	262	8.24	5.57	5.57	9.1	23.17
SBI65 SLL	63	32	53	150	18	26	22	35	4000	233	354	11.2	9.86	9.86	12	23.17