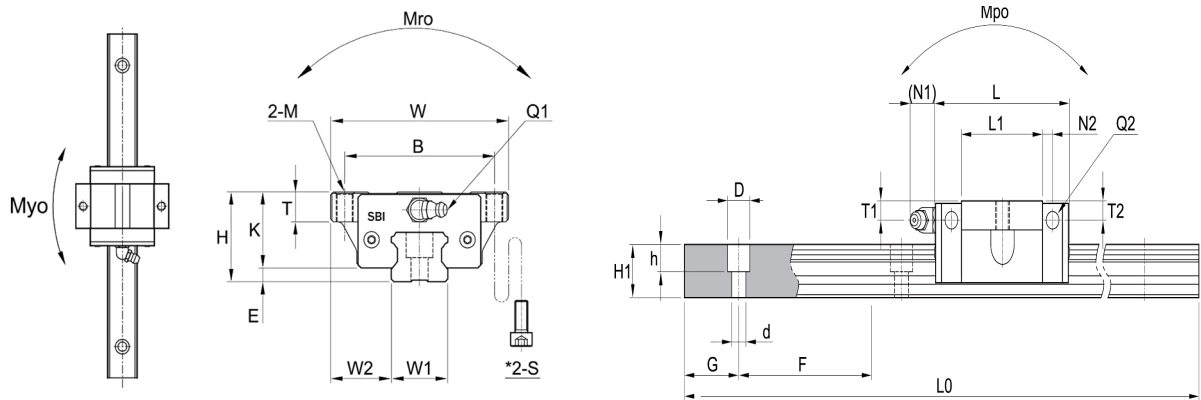


## SBI Linear Rail Series

### Compact FLANGE Series: FV



### SBI FV Block Specifications

| Model    | Rail dimensions |      |      |    |           |     |     |    |                    | Basic load rating (kN) |      | Permissible static moment (kN·m) |      |      | Mass       |             |
|----------|-----------------|------|------|----|-----------|-----|-----|----|--------------------|------------------------|------|----------------------------------|------|------|------------|-------------|
|          | W1              | W2   | H1   | F  | Bolt hole |     |     | G  | Max Rail Length LO | C                      | Co   | Mro                              | Mpo  | Myo  | Block (kg) | Rail (kg/m) |
|          |                 |      |      |    | d         | D   | h   |    |                    |                        |      |                                  |      |      |            |             |
| SBI15 FV | 15              | 16   | 13   | 60 | 4.5       | 7.5 | 5.5 | 20 | 3000               | 5.8                    | 12.8 | 0.04                             | 0.03 | 0.03 | 0.11       | 1.3         |
| SBI20 FV | 20              | 21.5 | 16.5 | 60 | 6         | 9.5 | 8.5 | 20 | 4000               | 9.4                    | 20.2 | 0.12                             | 0.1  | 0.1  | 0.23       | 2.2         |
| SBI25 FV | 23              | 23.5 | 20   | 60 | 7         | 11  | 9   | 20 | 4000               | 12.4                   | 26.1 | 0.19                             | 0.17 | 0.17 | 0.32       | 3           |

C (Basic dynamic load rating), Co (Basic static load rating)

\*S: Bolt size for bottom mounting type of block.

\*Q2: The hole of side grease nipple is not made to prevent a foreign substance from entering inside.

When you order the side grease nipple, we build it by ourselves.

### SBI FV Rail Specifications

| Model    | Rail dimensions |      |      |    |           |     |     |    |                    | Basic load rating (kN) |      | Permissible static moment (kN·m) |      |      | Mass       |             |
|----------|-----------------|------|------|----|-----------|-----|-----|----|--------------------|------------------------|------|----------------------------------|------|------|------------|-------------|
|          | W1              | W2   | H1   | F  | Bolt hole |     |     | G  | Max Rail Length LO | C                      | Co   | Mro                              | Mpo  | Myo  | Block (kg) | Rail (kg/m) |
|          |                 |      |      |    | d         | D   | h   |    |                    |                        |      |                                  |      |      |            |             |
| SBI15 FV | 15              | 16   | 13   | 60 | 4.5       | 7.5 | 5.5 | 20 | 3000               | 5.8                    | 12.8 | 0.04                             | 0.03 | 0.03 | 0.11       | 1.3         |
| SBI20 FV | 20              | 21.5 | 16.5 | 60 | 6         | 9.5 | 8.5 | 20 | 4000               | 9.4                    | 20.2 | 0.12                             | 0.1  | 0.1  | 0.23       | 2.2         |
| SBI25 FV | 23              | 23.5 | 20   | 60 | 7         | 11  | 9   | 20 | 4000               | 12.4                   | 26.1 | 0.19                             | 0.17 | 0.17 | 0.32       | 3           |