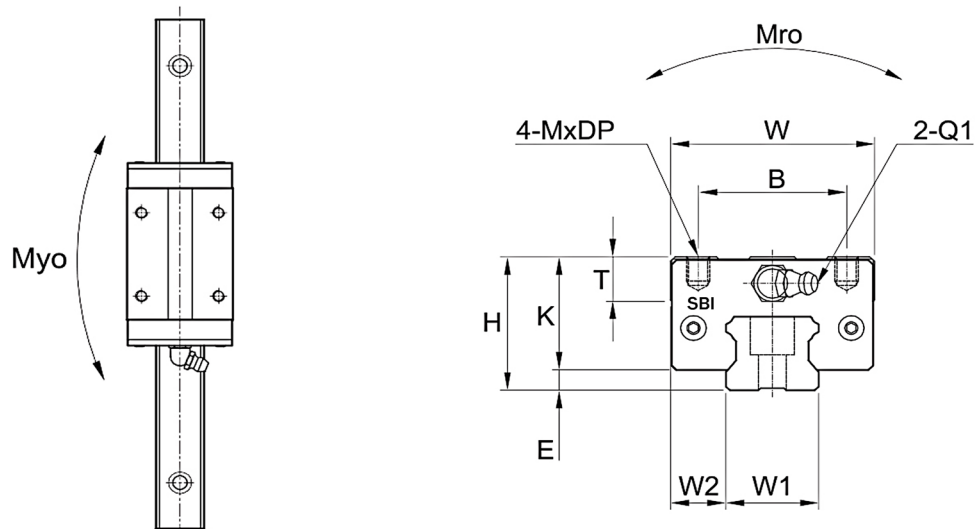


**SBI Linear Rail Series**  
**Slim Series: CL, CLL, CLS**



Model	Mounting dimension				Block dimensions												
	H	W	L	E	Mounting tap hole				L1	T±1	K	Grease fitting					
					B	J	M	DP				T1	N1	T2	N2	Q1	*Q2
SBI20 CLS	28	42	65.2	4.6	32	32	M5	5	43.2	7.8	23.4	4.8	12	4.3	5	M6x0.75	ø3.5
SBI20 CL	28	44	78.8	4.6	32	32	M5	5	56.8	7.8	23.4	4.8	12	3.8	5	M6x0.75	ø3.5
SBI20 CLL	28	44	96.4	4.6	32	50	M5	5	74.4	7.8	23.4	4.8	12	3.8	5	M6x0.75	ø3.5
SBI25 CL	33	48	92	5.5	35	35	M6	6	70	9	27.5	5.4	12	5.4	5	M6x0.75	ø3.5
SBI25 CLL	33	48	108	5.5	35	50	M6	6	86	9	27.5	5.4	12	5.4	5	M6x0.75	ø3.5

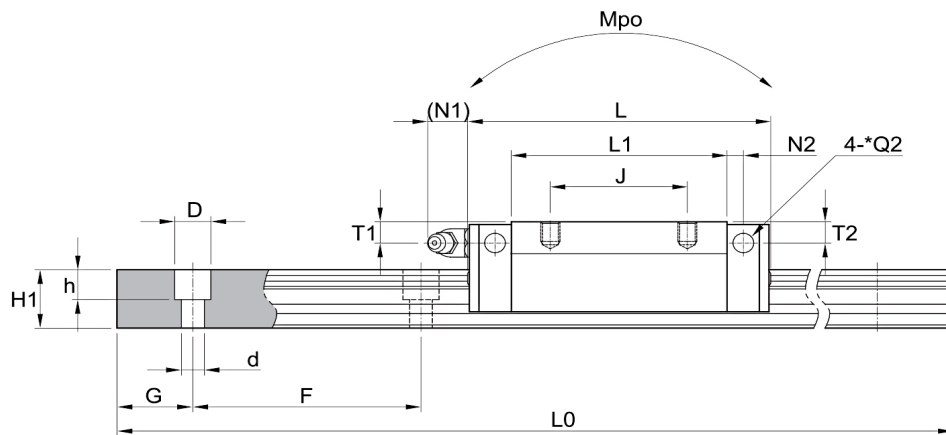
C (Basic dynamic load rating), Co (Basic static load rating)

\*Q2: The hole of side grease nipple is not made to prevent a foreign substance from entering inside.

When you order the side grease nipple, we build it by ourselves.

# LINEAR RAIL SYSTEM

Available for Quick Delivery  
Slim Series: CL, CLL, CLS



Model	Rail dimensions									Basic load rating (kN)		Permissible static moment (kN*m)			Mass	
	W1	W2	H1	F	Bolt hole			G	Max Rail Length L0	C	Co	Mro	Mpo	Myo	Block (kg)	Rail (kg/m)
					d	D	h									
SBI20 CLS	20	11	16.5	60	6	9.5	8.5	20	4000	19.1	27	0.27	0.15	0.15	0.23	2.2
SBI20 CL	20	12	16.5	60	6	9.5	8.5	20	4000	22.2	38.2	0.36	0.33	0.33	0.32	2.2
SBI20 CLL	20	12	16.5	60	6	9.5	8.5	20	4000	27.9	50	0.47	0.56	0.56	0.41	2.2
SBI25 CL	23	12.5	20	60	7	11	9	20	4000	31.5	52.1	0.56	0.56	0.56	0.49	3
SBI25 CLL	23	12.5	20	60	7	11	9	20	4000	36.7	64.4	0.69	0.84	0.84	0.57	3