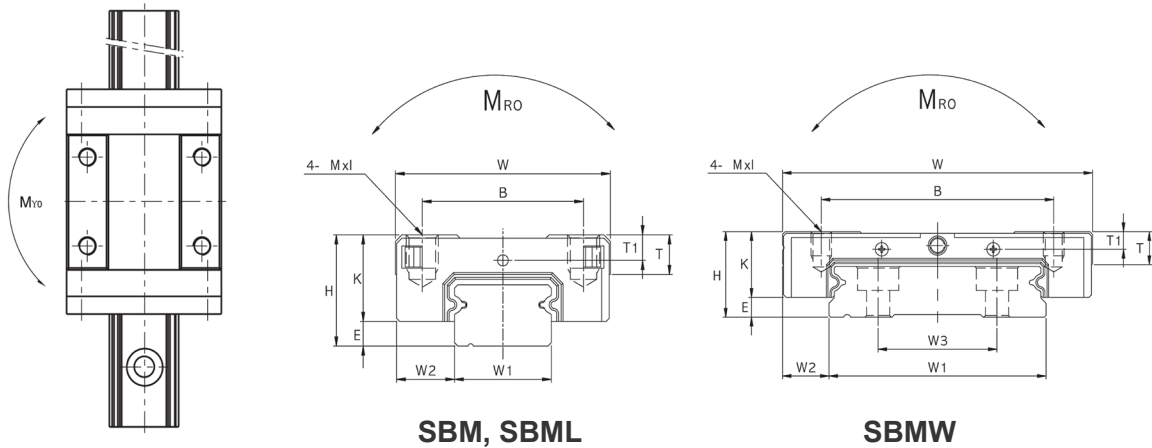


SBI Linear Rail Series

Miniature Series: **SBM, SBML, SBMW**

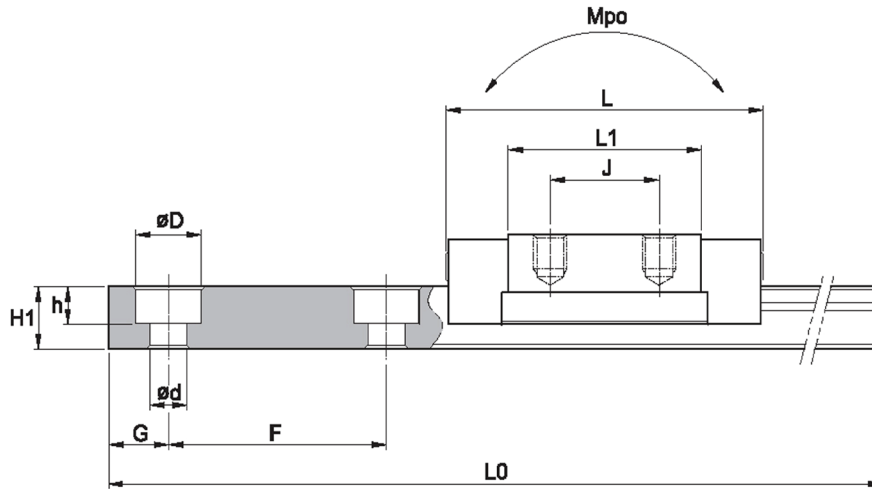


Model	Mounting dimension				Block dimensions								
	H	W	L	E	Mounting tap hole				L1	T±1	K	Grease fitting	
					B	J	M	DP				T1	Q
SBM07	8	17	22.8	1.5	12	8	M2	2.5	13.4	3.6	6.5	1.6	Ø1
SBM09	10	20	30.4	2.2	15	10	M3	3.0	17.8	5.0	7.8	2.3	Ø1
SBML09	10	20	40.8	2.2	15	16	M3	3.0	28.0	5.0	7.8	2.3	Ø1
SBMW09	12	30	42.3	3.7	21	12	M3	3.0	27.0	4.5	8.3	2.0	Ø1.4
SBM12	13	27	35.0	3.0	20	15	M3	3.5	19.8	6.0	10.0	2.8	Ø1
SBML12	13	27	47.6	3.0	20	20	M3	3.5	32.4	6.0	10.0	2.8	Ø1
SBMW12	14	40	48.4	4.0	28	15	M3	3.5	30.9	5.0	10.0	2.4	Ø1.6
SBM15	16	32	43.0	4.0	25	20	M3	4.0	25.4	7.0	12.0	3.1	Ø1
SBML15	16	32	58.8	4.0	25	25	M3	4.0	41.2	7.0	12.0	3.1	Ø1
SBMW15	16	60	57.5	3.7	45	20	M3	4.5	28.9	6.2	12.3	2.8	Ø3.2

① C (Basic dynamic load rating), Co (Basic static load rating)

LINEAR RAIL SYSTEM

Available for Quick Delivery
Miniature Series: SBM, SBML, SBMW



MODEL	Rail dimension										Basic load rating [kN]		Permissible static moment [kN · m]			Mass	
	W1	W2	H1	W3	F	Bolt hole			G	Max length of rail L0	C	Co	Mro	Mpo	Myo	Block [kg]	Rail [kg/m]
						d	D	h									
SBM07	7	5	4.7	-	15	2.4	4.2	2.3	5	300	0.9	1.47	5.15	2.46	2.46	0.006	0.22
SBM09	9	5.5	5.5	-	20	4.0	6	3.3	7.5	1195	1.4	2.7	12.15	6.01	6.01	0.023	0.32
SBML09	9	5.5	5.5	-	20	4.0	6	3.3	7.5	1195	2.1	4.6	20.7	16.22	16.22	0.023	0.32
SBMW09	18	6	7.5	-	30	3.5	6	4.5	10	1190	2.45	3.92	35.96	16.26	16.26	0.03	0.99
SBM12	12	7.5	7.5	-	25	4.0	6	4.5	10	1195	3.3	4.9	29.4	12.13	12.13	0.029	0.59
SBML12	12	7.5	7.5	-	25	4.0	6	4.5	10	1195	5	9.1	54.6	36.86	36.86	0.043	0.59
SBMW12	24	8	8.5	-	40	4.5	8	4.5	15	1190	4.02	6.08	47.62	17.15	18.62	0.03	1.42
SBM15	15	8.5	9.5	-	40	4.0	6	4.5	15	1190	4.9	7.5	56.25	23.81	23.81	0.052	0.99
SBML15	15	8.5	9.5	-	40	4.0	6	4.5	15	1190	7.1	12.9	96.75	66.44	66.44	0.079	0.99
SBMW15	42	9	9.5	23	40	4.5	8	4.5	15	1190	6.66	9.8	136.9	35.28	38.22	0.012	2.93